



**POLICON**  
*Engineering & Manufacturing*

# *Round vibrating screen*

# Round vibrating screen



The round vibrating screen is intended for mechanical sifting dry bulk food. The screen consists of a body with a cover, a frame, a debalanced vibration exciter, sifting deck with the required size of the sieve cell, which gives the different product fractions.

- The screen can be used in food production
- High sieving efficiency
- Easy to install and adjust parameters
- Small footprint
- Production of modifications and configuration for a specific customer.



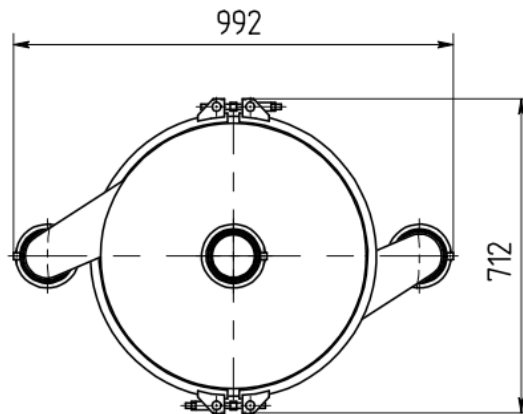
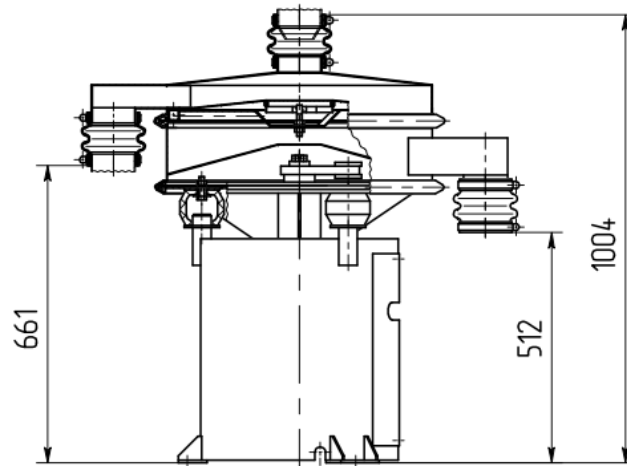
## Technical Specification:

Productivity, kg / h, no more .....	1 000
The number of fractions .....	2
Engine power, kW .....	0,75
Mains parameters, V / Hz .....	380 /50
Material of the working body .....	08X18H10 or AISI 304
Frame material .....	carbon steel
Overall dimensions, mm:	
length .....	992
width .....	712
height .....	1 004
Sieve mass, kg .....	140
Number of operators .....	1 operator

Productivity no more than 1000 kg per hour, depending on the material and the size of the sieve mesh.

This product can be manufactured according to the technical specifications of the customer, taking into account its predetermined parameters and features.

# Round vibrating screen



# Round vibrating screen



## **Food Machinery**

**Machinery for tires, rubber, plastics manufacturing**

**Modernization and automation of production**

**Non-standart equipment**

**Production of spare parts, components, assemblies**

**Outsourcing services - repair and maintenance of  
equipment**

**Global engineering solutions**



**Policon JSCo**

**194 Lermontov Str, Omsk 644009, Russia**

**Tel./Fax: +7 (3812) 36 74 12, 36 74 02, 48 48 30**

**e-mail: [info@policon-rt.ru](mailto:info@policon-rt.ru)**

**[www.policon-rt.ru](http://www.policon-rt.ru)**